

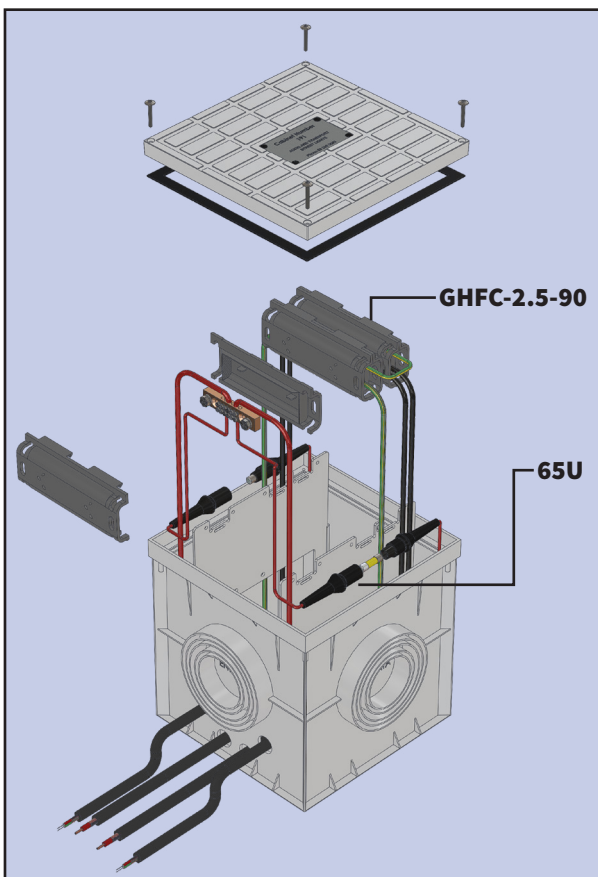
MAINS STREETLIGHT PIT SYSTEM

- SUBMERSIBLE FUSED ELECTRICAL SUPPLY TO LIGHT POLES

The Streetlight pit is a submersible cable break out system with fused supply to light poles and auxillary items such as CCTV, WiFi, telecom signal boosters . This pit system is approved by Auckland Transport for all Streetlight poles where the “Gear Door Opening size” is less than 120mm x 200mm, or where there is limited space for cable loops and multiple fused supplies within the streetlight pole.

SYSTEM

Fully submersible pit system designed specifically for New Zealand applications.



PIT

- Dimensions: 300x300x300mm
- Colour: Grey
- Material: Polypropylene / UV Stable
- Breaking Load: 4.8kg/cm²
- Security: 4x Torx Stainless Steel Anti-tamper Screws

ELECTRICAL

- Connections: Via 165A rated Copper Bus
- Fuse Holders: 65U Fully Submersible Fuse Carrier (Range taking 2.5mm² - 16mm²)
- Fuses: 10x38mm Barrel Type
- Sealing of Connections: Raychem Gel Enclosure (GHFC-2.5-90)
 - Easy Re-entry
 - Rugged Protection
 - Submersible

Auckland Transport (AT) specified pit Part # **TNATSLPITKIT** comes with unique AT Asset Number/Label, only sold to Approved AT Contractors.

Standard Pit Part # **TNSLPITKIT**